

LED Linear High Bay

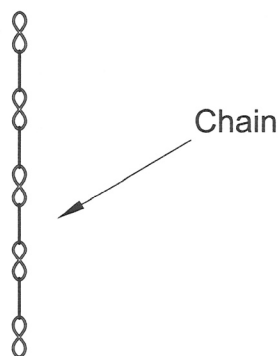
INSTRUCTION MANUAL

Please read instruction before commencing installation and retain for future references. Electrical products can cause death or injury, or damage to property. If in any doubt about the installation or use of this product, consult a competent electrician.

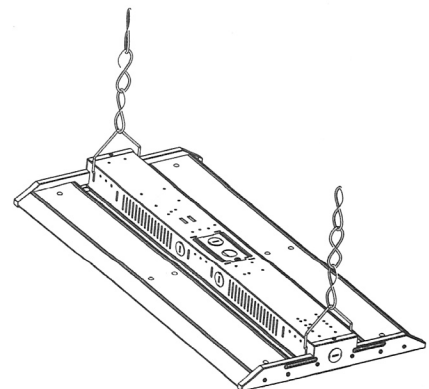
Part No.	Power	Input Current	Input Voltage	Frequency	PF	THD	Luminous Flux	CCT	Ra	Warranty							
TS-LHB5-1.3FT80W-X-XXK	80W	0.733A	AC120-277V	50/60HZ	>0.9	<20%	10800lm	4000K 5000K 5700K 6500K	>80	5 Years							
TS-LHB5-1.3FT110W-X-XXK	110W	1.0A					14850lm										
TS-LHB5-2FT80W-X-XXK	80W	0.733A					10800lm										
TS-LHB5-2FT110W-X-XXK	110W	1.0A					14850lm										
TS-LHB5-2FT160W-X-XXK	160W	1.467A					21600lm										
TS-LHB5-2FT165W-X-XXK	165W	1.513A					22275lm										
TS-LHB5-2FT220W-X-XXK	220W	2.017A					29700lm										
TS-LHB5-3FT220W-X-XXK	220W	2.017A					29700lm										
TS-LHB5-3FT260W-X-XXK	260W	2.383A					35100lm										
TS-LHB5-4FT225W-X-XXK	225W	2.06A					30375lm										
TS-LHB5-4FT300W-X-XXK	300W	2.75A					40500lm										
TS-LHB5-1.3FT80W-X-MV-XXK	80W	0.733A					AC120-347V				50/60HZ	>0.9	<20%	10800lm	4000K 5000K 5700K 6500K	>80	5 Years
TS-LHB5-1.3FT110W-X-MV-XXK	110W	1.0A												14850lm			
TS-LHB5-2FT80W-X-MV-XXK	80W	0.733A												10800lm			
TS-LHB5-2FT110W-X-MV-XXK	110W	1.0A	14850lm														
TS-LHB5-2FT160W-X-MV-XXK	160W	1.467A	21600lm														
TS-LHB5-2FT165W-X-MV-XXK	165W	1.513A	22275lm														
TS-LHB5-2FT220W-X-MV-XXK	220W	2.017A	29700lm														
TS-LHB5-3FT220W-X-MV-XXK	220W	2.017A	29700lm														
TS-LHB5-3FT260W-X-MV-XXK	260W	2.383A	35100lm														
TS-LHB5-4FT225W-X-MV-XXK	225W	2.06A	30375lm														
TS-LHB5-4FT300W-X-MV-XXK	300W	2.75A	40500lm														

Chain Installation

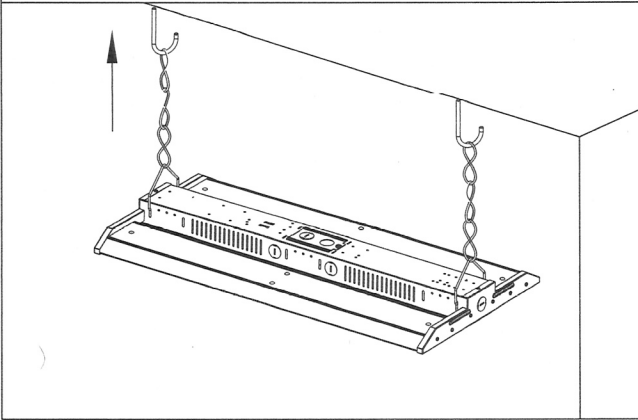
1. Hook the chain as below pic.



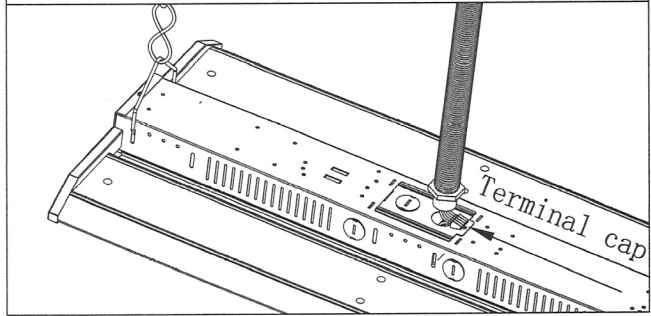
2. Insert the hook into the slotted holes, as shown below.



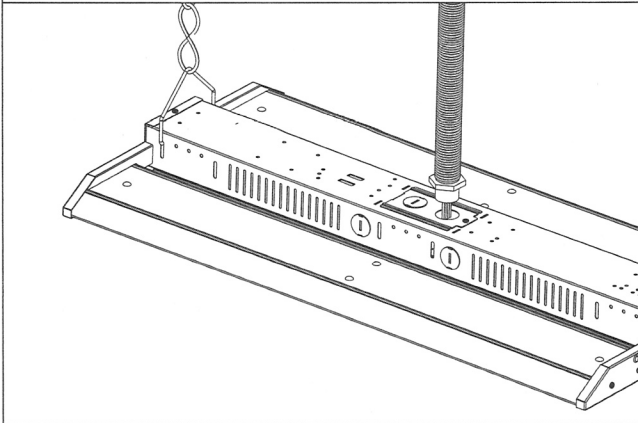
3. Hook up the chain on the ceiling anchor.



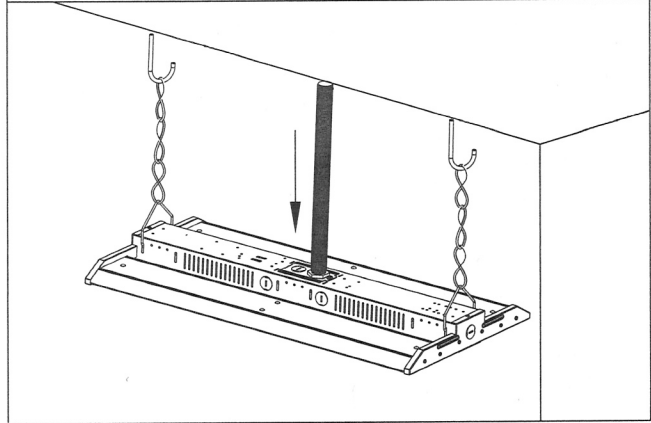
4. Turn off power, and make wiring connections with terminal cap (see wiring instruction below).



5. Insert the terminal cap and wires into the driver box.



6. Insert the wire terminal joint to the wire entry. Installation completed.



- Note:**
1. The installation and maintenance must be completed by electricians or professionals.
 2. Please cut off the power before installation and maintenance.
 3. The thermally insulating material is not allowed to cover the fixture.
 4. Please keep away from the corrosive substance, and keep the fixture dry and clean.
 5. Working temperature: $-40^{\circ}\text{F}\sim 113^{\circ}\text{F}$ ($-40^{\circ}\text{C}\sim 45^{\circ}\text{C}$), storage temperature: $-40^{\circ}\text{F}\sim 158^{\circ}\text{F}$ ($-40^{\circ}\text{C}\sim 70^{\circ}\text{C}$).

The Installation must be carried out by a qualified electrician.