

RGBW Wall Washer

Features

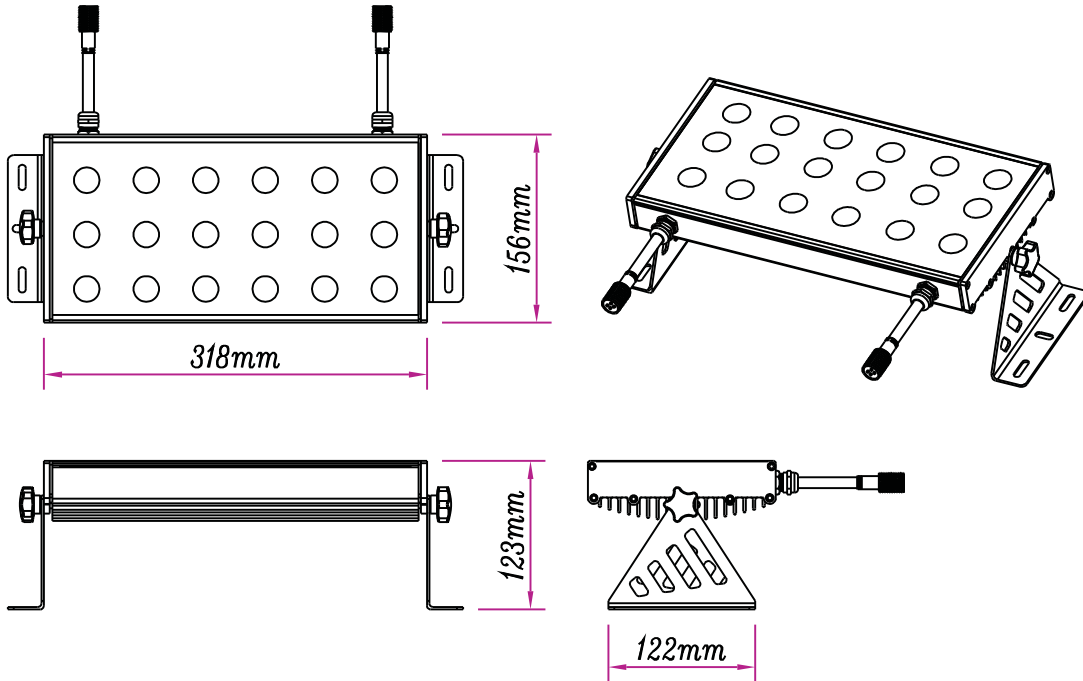
- No Mercury and other hazardous materials, fully RoHS.compliant and CE Certified.
- Work with RGBW LED Controller with four or more channels.
- Durable and completely corrosion resistance
- Good heat dissipation performance.
- Silicon rubber sealing technology securing perfect waterproof performance, IP: 65.
- High temperature resistant, anti-aging.
- The unique optical PMMA lens ensure the brightness maintenance and projection effect
3mm tempered glass cover, strong protection and good optical function.
- Exquisite appearance.
- Housing: a-alloy with extrusion technology and oxidation treatment.
- Degree of homogeneity: >80%
- Service life over 50,000 hours
- Net weight: 3KG
- Gross weight: 3.5KG
- Inner box size: 381*228*111mm
- Outer box size: 800*260*400mm (6PCS per box)



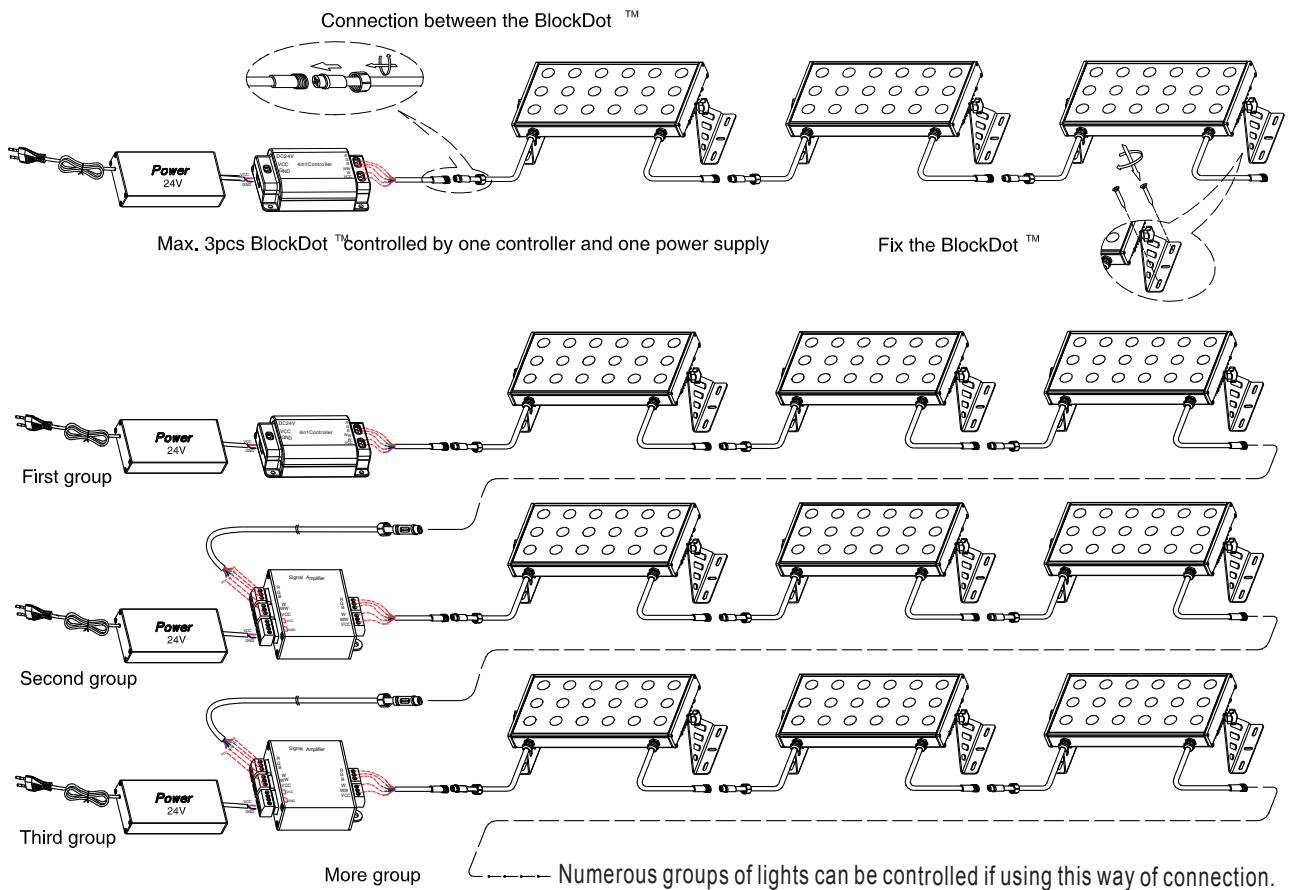
Specifications

Model #	color	CCT or Wavelength	LED Type	Lumen(lm) (± 10%)	Beam angle	Current(A) (± 10%)	Power(W) (± 10%)	Voltage (V)	PF	Projection distance (m)	Net Weight (Kg)	Gross Weight (Kg)
#3741	W	6020-7050K	prolight 4 in 1 RGBW LED	540	25° /45°	2	48	24V DC	1	10-15	3	3.5
	R	620.5-631nm		150								
	G	520-525nm		460								
	B	460-465nm		90								
	RGBW	3710-3985nm		1230								

Dimensions (Unit: mm)



Assembly Drawing





LEDwholesalers.com

26596 Corporate Ave

Hayward, CA 94545

T: 510-264-1688

F: 510-264-1210

CustomerService@LEDwholesalers.com

 **Notice**

Installation information:

Power must be cut off before installation, fix it on the position of installation holes, connection of the power supply must be sealed.

1. Please read the specification first, to make sure the service environment matches the condition in the specification before using.

2. Please confirm the applicable power supply before using.

3. Make sure the switch of product is off before connect to the power supply to prevent electric shock.

4. Operation against rules may damage your property even harm to your personal safety.

all Washer light to

5. Preliminarily estimate required quantity of Wall Washer lights, then according to the power rating of single W figure out the total power and design power supply plan.

6. Dangerous high voltage, Non-professionals are not allowed to maintain the products.

If the exterior flexible cable or wire is damaged, it must exchange by the supplier, its agent or other similar qualified personnels to avoid dangers.