

## USER MANUAL

Size	Part No.	Power	Input Voltage	Light Efficacy	Luminous Flux	CCT	Viewing Angle	Ra	PF	Warranty
4FT	TS-ST-4FT24W	24W	AC120-277V	130lm/W	3120LM	4000K,5000K	120°	>80	>0.9	5 Years
	TS-ST-4FT30W	30W			3900LM					
	TS-ST-4FT40W	40W			5200LM					
	TS-ST-4FT50W	50W			6500LM					
8FT	TS-ST-8FT40W	40W			5200LM					
	TS-ST-8FT64W	64W			8320LM					
	TS-ST-8FT100W	100W			13000LM					

### Important

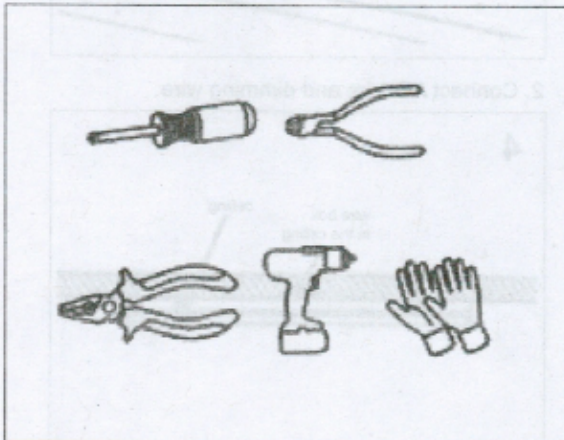
Read this instruction carefully before installation. Keep it for further reference. Make electrical and grounded connections in accordance with the national electrical code and any applicable code. Always turn off the power supply before installation. This product must be installed in accordance with the applicable installation code by a qualified electrician who is familiar with the construction and operation of the product and the hazards involved.

#### WARNING:

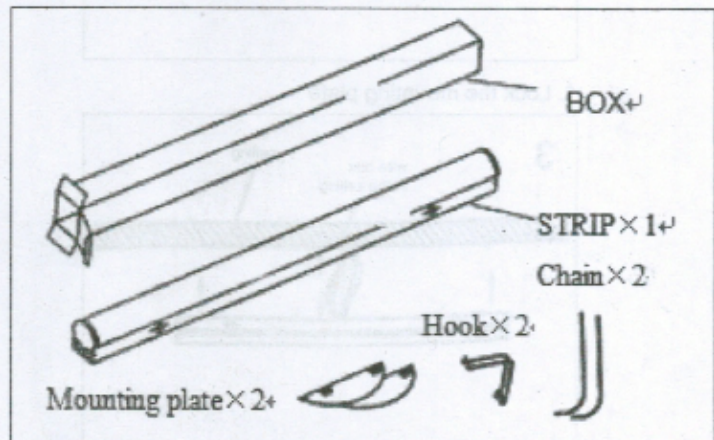
- ⚠ Risk of fire or electric shock. Fixture installation requires knowledge of luminaires electrical systems. If not qualified, DO NOT attempt installation. Contact a qualified electrician.
- ⚠ Risk of fire or electric shock. Suitable for wet locations. Always turn off the power supply before installation.
- ⚠ Risk of fire or electric shock. Suitable for non-insulated surface and frame. DO NOT cover fixture with insulation liner or similar material.
- ⚠ DO NOT install fixture on unstable, loose or easily breakable surface.
- DO NOT exert force on the surface of the fixture.

### Installation and Electrical Connection

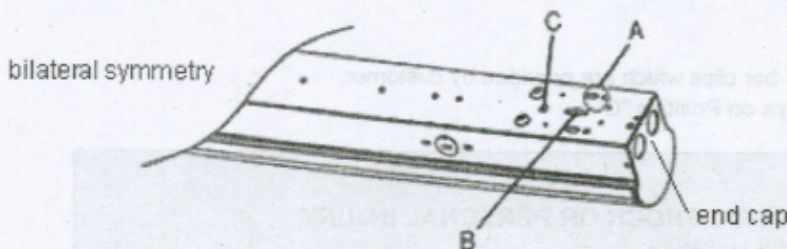
#### Tools Requirements:



#### Packing List:



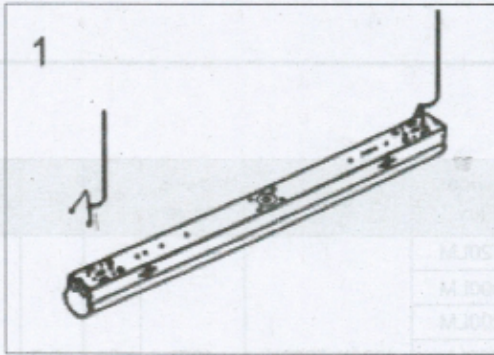
#### Mounting options:



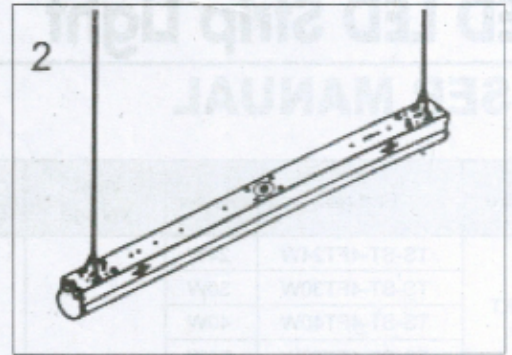
- A. Chain and V hook mounting
- B. Surface mounting
- C. T-Bar Clip installation hole

## Installation Steps

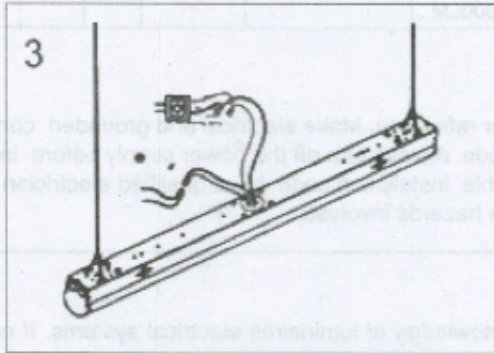
A:



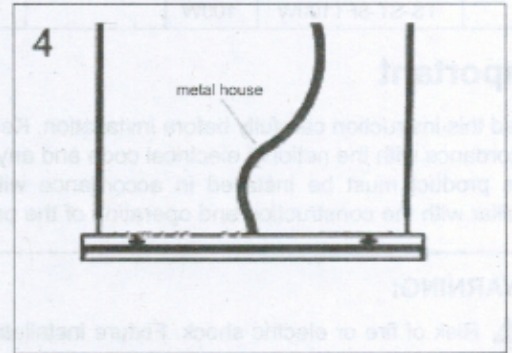
1. Tie hook with chain and then insert it into installation hole.



2. Fix chain to installation location, adjust the height of chain until fixture is balanced.

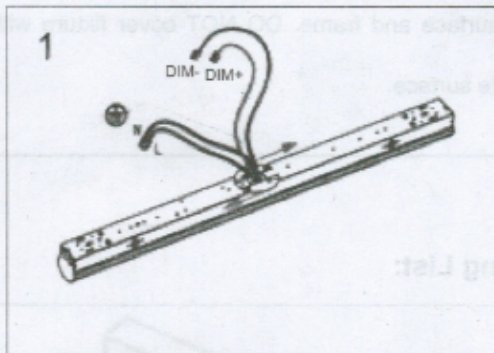


3. Connect AC wire and dimming wire

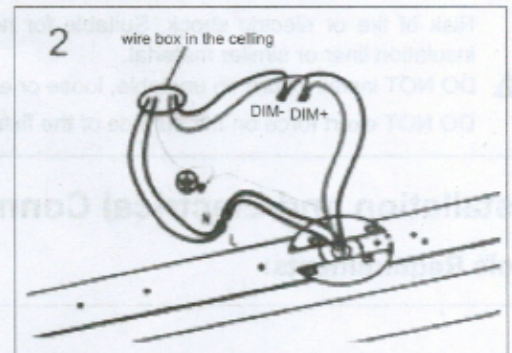


4. Wrap wire with metal material.

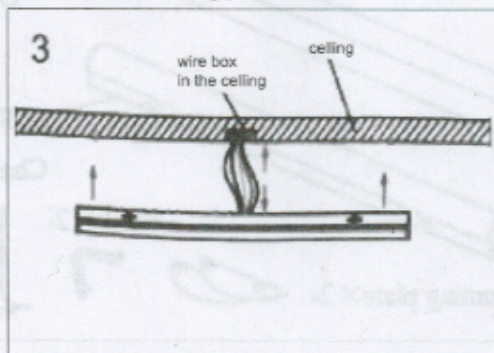
B:



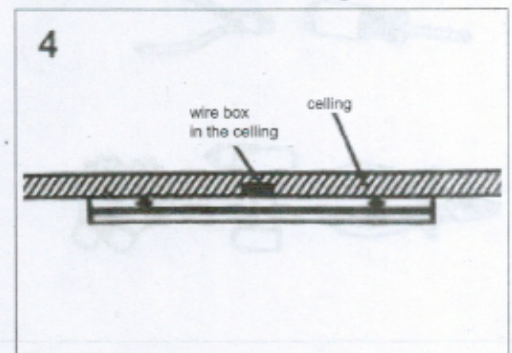
1. Lock the mounting plate



2. Connect AC wire and dimming wire.



3. Lift up the fixture and put wires into box.



4. Lock the fixture by nail.

## C: T-Bar clip mounting

Fix fixture to T-bar ceiling grid with T-bar clips which are provided by customer. Refer to the left drawing; fix T-bar clips on Position "C".



### **⚠ WARNING**

**RISK OF FIRE, ELECTRIC SHOCK OR PERSONAL INJURY**

Turn power off before installation.